



Silken Sewing Ltd - New building

Baniar Chala (Member Bari), Vobanipur, Gazipur

(24.158578N, 90.427469E)

13th February, 2017



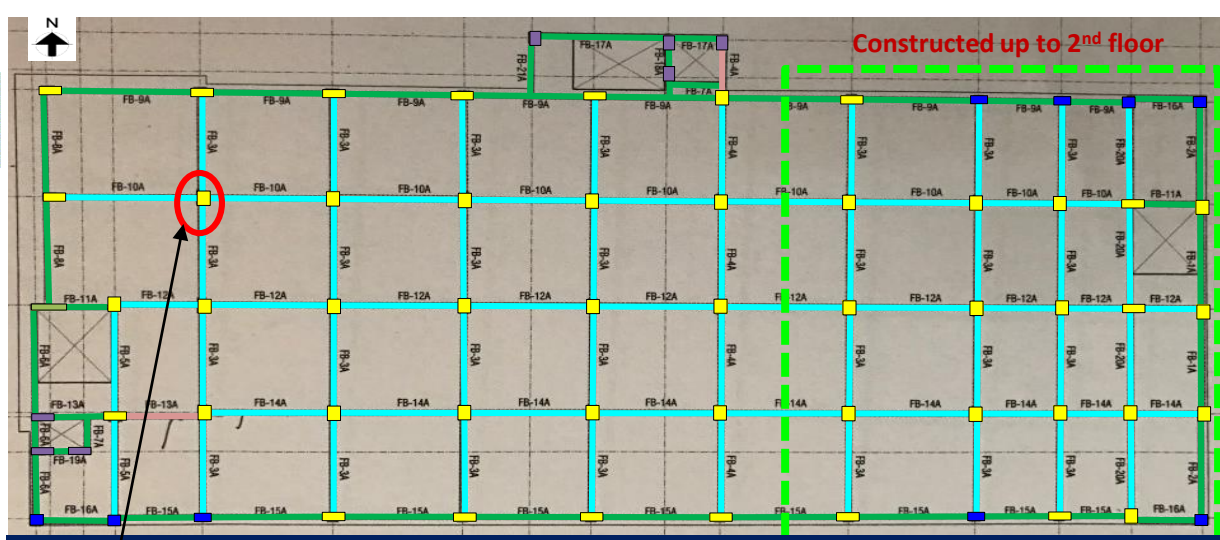


Observations

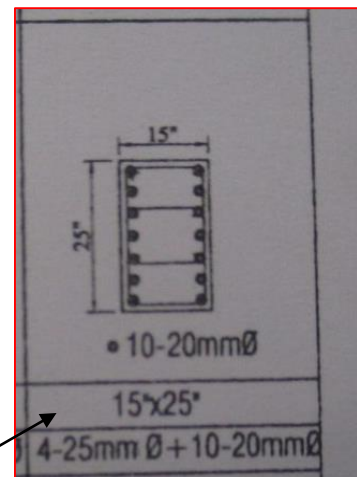


Inconsistent and missing documents

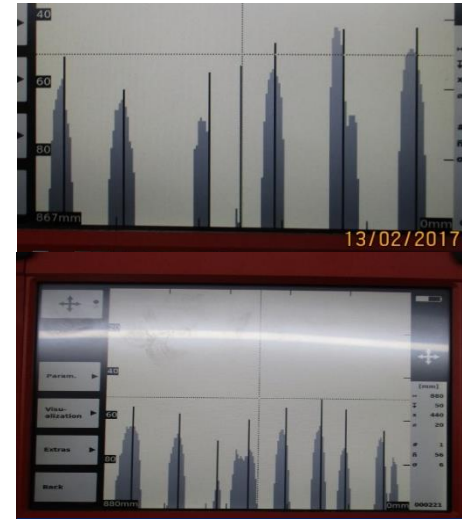
Observations:



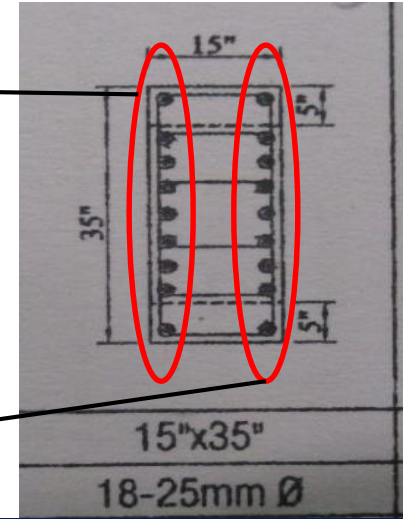
Typical Beam Column Layout



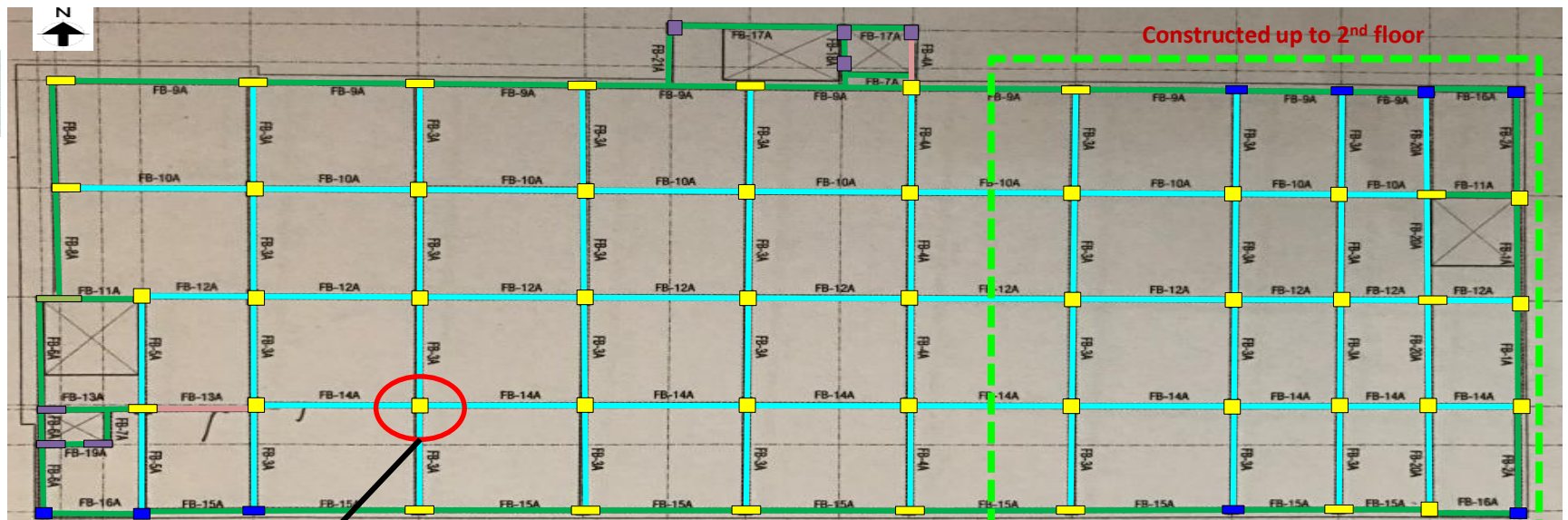
Found 12-20mm dia rebar in C-16 column on roof top but in column schedule, the rebar was different



Found 7 nos. and 8 nos. re-bars on first floor instead of 9 bars in column schedule of C-16 on long direction of column



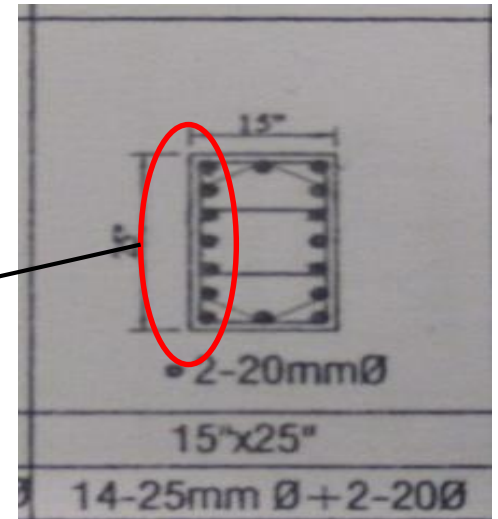
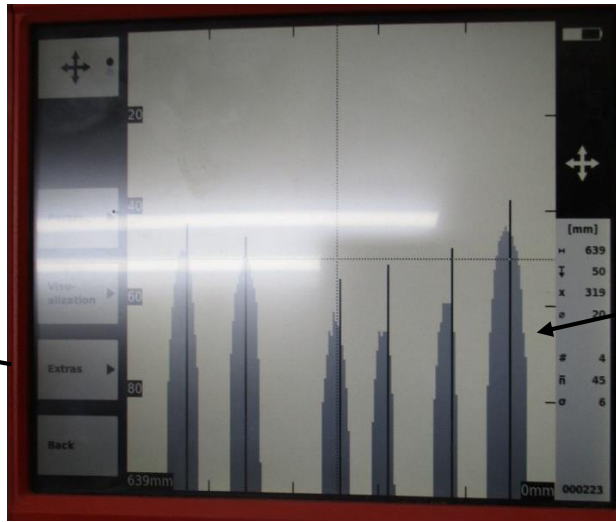
Observations:



Typical Beam Column Layout

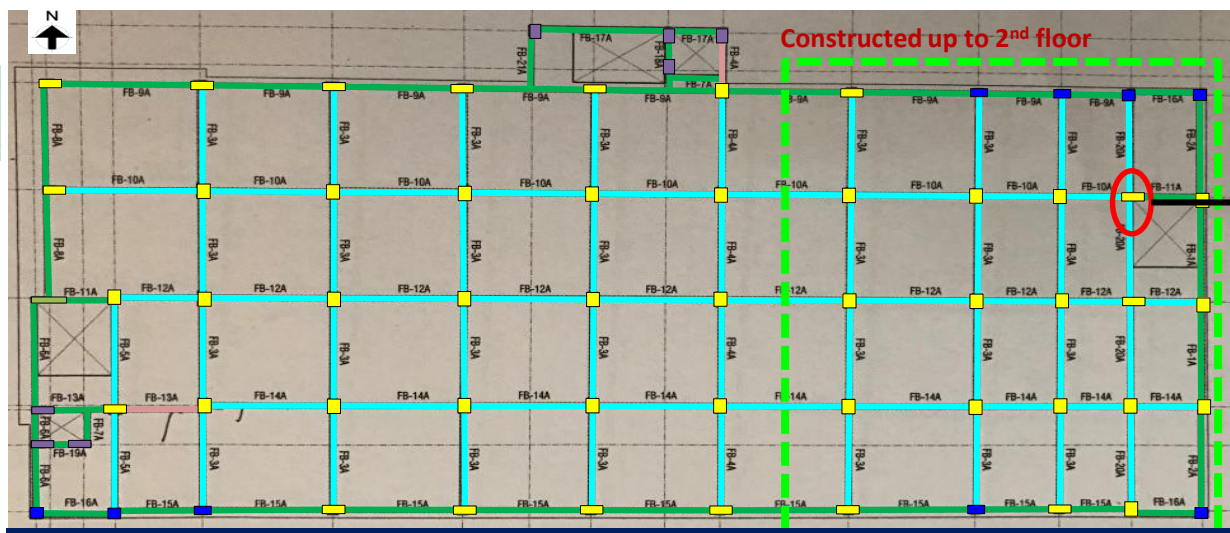


Found 6nos. rebar in C-15 column at one face on 1st floor but in column schedule, the rebar was shown 7nos.

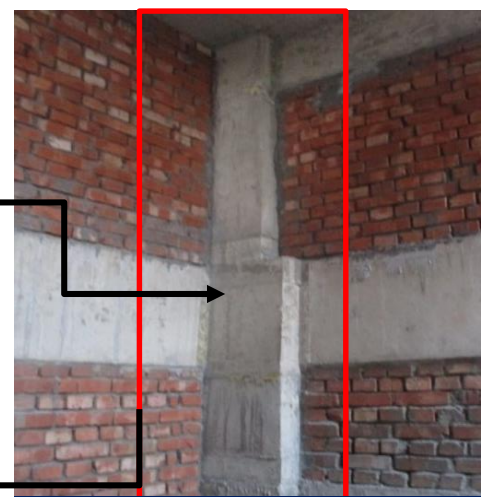


C-15 column schedule for 1st floor

Observations:



Typical Beam Column Layout



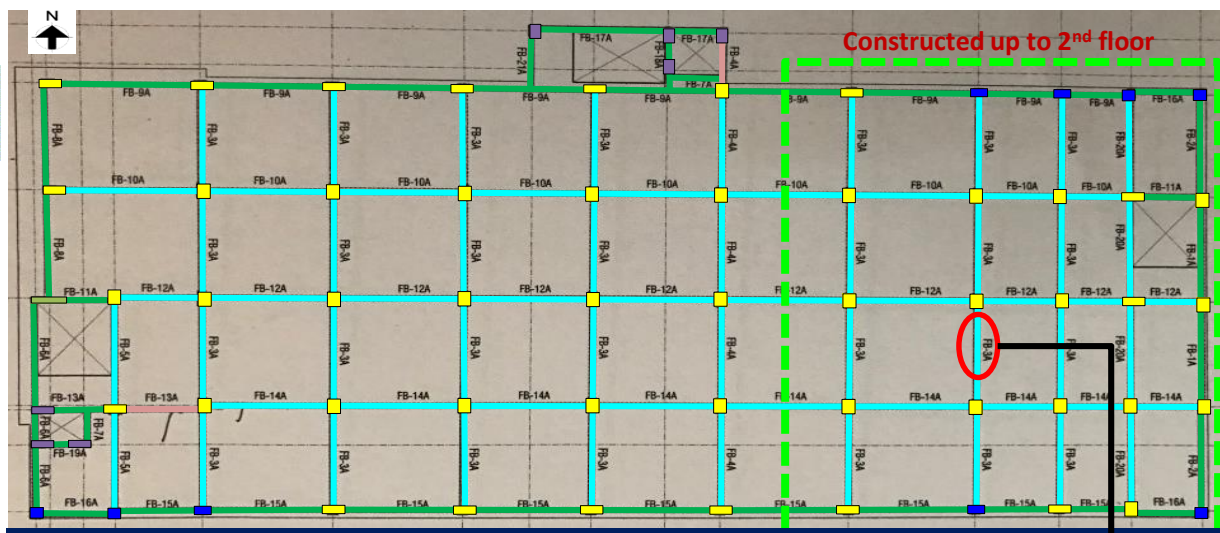
C-12 column at 1st floor on stair case

C12				
Column Size	17"x27"	15"x25"	15"x25"	15"x25"
Number of Bars	14-25mm Ø	14-25mm Ø	12-25mm Ø	8-25mm Ø + 4-20mm Ø
	Below Gr level	Gr floor level	1 st floor level	2 nd floor level

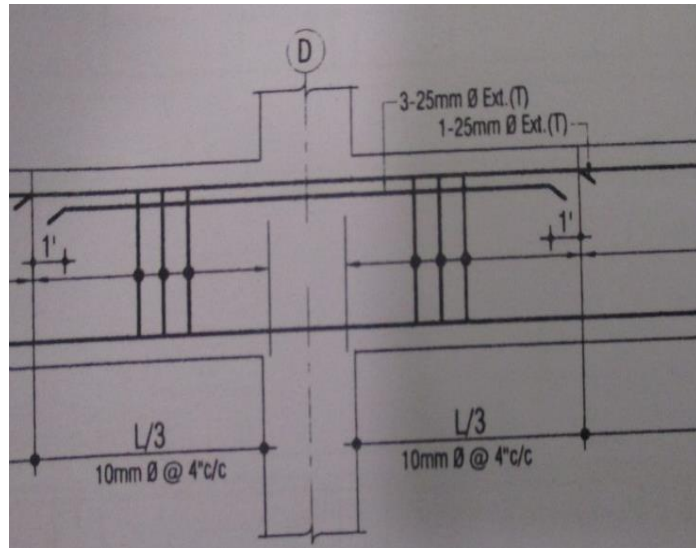
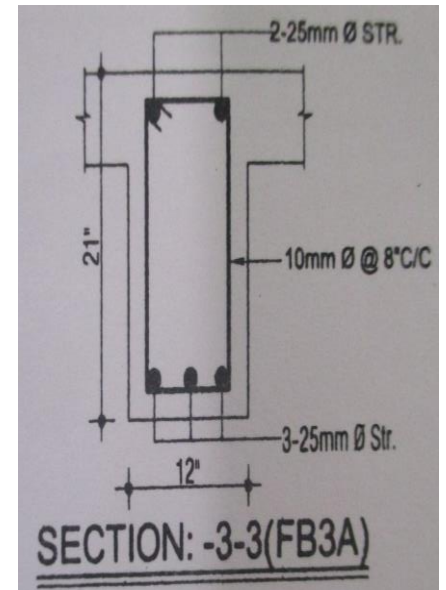
C-12 column schedule in provided drawing

C-12 column size found different in stair case but according to provided column schedule, the size of column was shown same on Ground floor to roof top.

Observations:



Typical Beam Column Layout



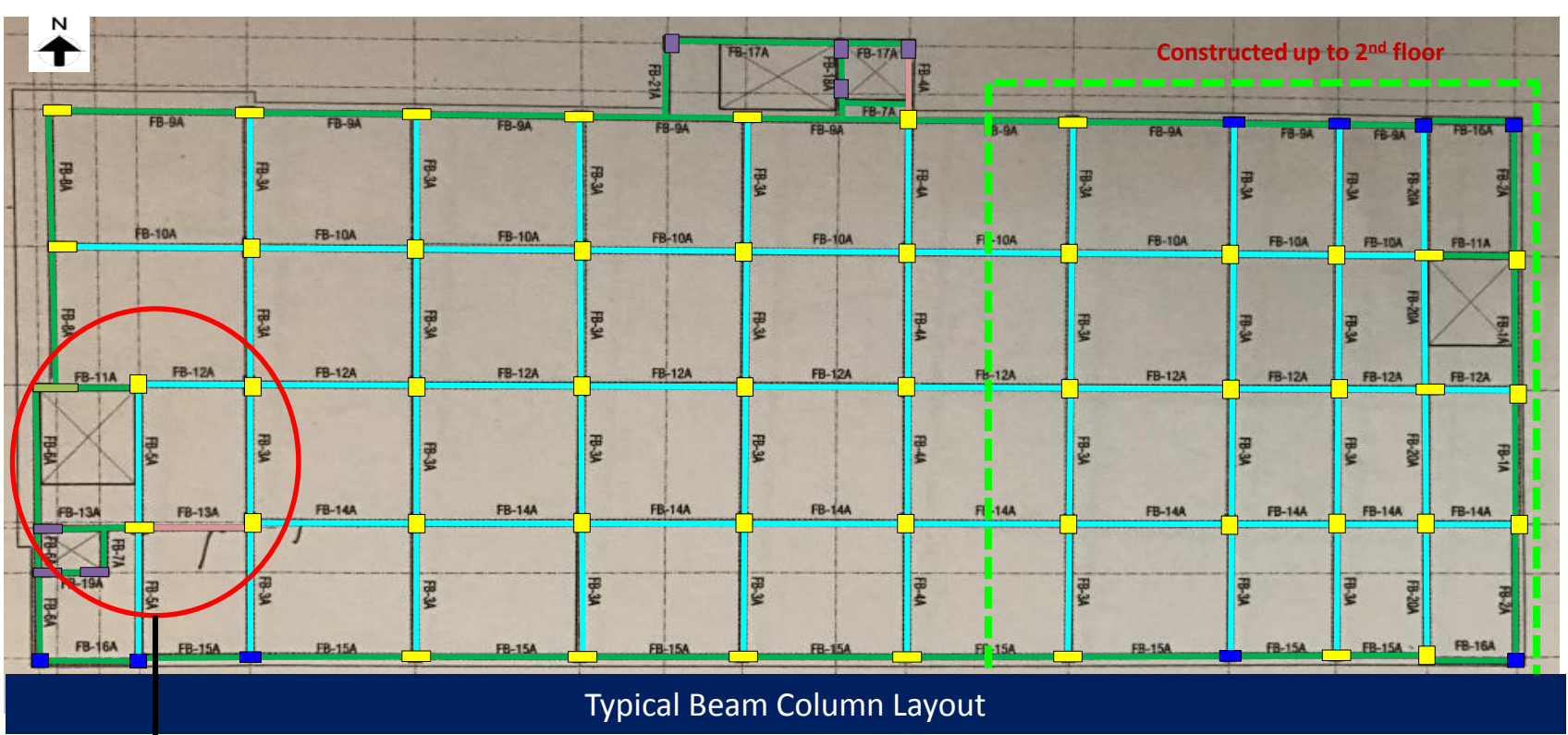
In provided drawing, the FB-3A beam has 6-25mm rebar as top bar and 3-25mm rebar as bottom bar



Found 3-25mm & 3-20mm re bar as top bar and 2-25mm & 1-20mm re bar as bottom bar on Fb-3A

The reinforcements in FB-3A was found less than in provided drawing

Observations:



Found single RCC over head water tank on stair case

In provided drawing, no detail of over head water tank was found

Observations:



Hairline crack observed on beams

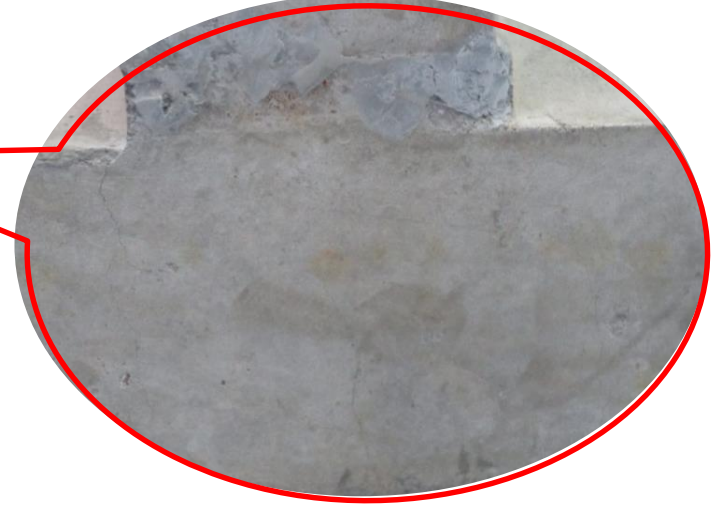
Observations: Utility building



5th floor Beam Column Layout



Crack observed on the joint of two beam



Observations:



13/02/2017 13:50

Crack observed on the several beam of 5th floor



13/02/2017 15:08

Crack observed on the several beam of 3rd floor

Observations:



Priority Actions



Problems Observed:

New Building:

Item 1: Inconsistent and missing documents

Item 2: Appearance Hairline crack observed on beams



Item No.	Observation	Recommended Action Plan	Recommended Timeline
1	Inconsistent and missing documents	Engage a Building Engineer to survey the structure and update a full set of “as-constructed” drawings	6-weeks
2	Appearance Hairline crack observed on beams	Engage a Building Engineer to investigate if cracks penetrate the building structure.	6-weeks
3	Appearance Hairline crack observed on beams	Building Engineer to carry out design check on beam to confirm that these cracks are non-structural.	6-weeks
4	Appearance Hairline crack observed on beams	Carry out remedial works resulting from engineering assessment if necessary.	6-months